

# 2.00mm

## (0.079") PITCH CONNECTOR



YST200-C

### Material

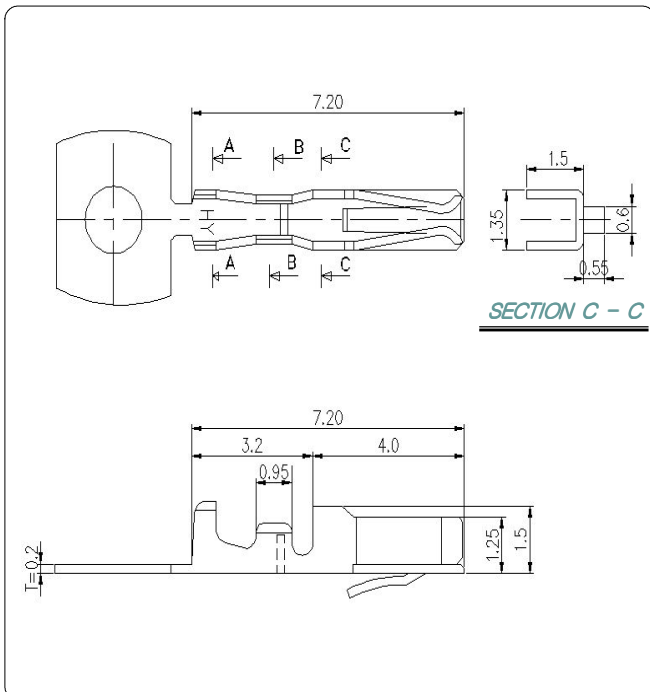
I/NO	DESCRIPTION	MATERIAL
1	TERMINAL	Phosphor Bronze, Tin-plated

**Wire to Board  
Connectors**

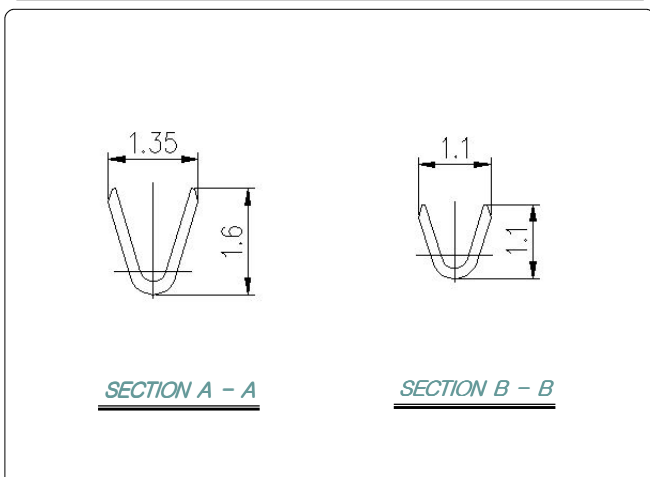
**Terminal**

### Specification

ITEM	SPEC
Voltage Rating	AC/DC 250V
Current Rating	AC/DC 3A
Operating Temperature	-25°C ~ +85°C
Contact Resistance	30mΩ MAX
Withstanding Voltage	AC1000V/1min
Insulation Resistance	1000MΩ MIN
Applicable Wire	AWG #22~#28
Applicable P.C.B	-
Applicable FPC/FFC	-
Solder Height	-
Crimp Tensile Strength	AWG #22 : 2.5kgfMIN
	AWG #24 : 2.0kgfMIN
	AWG #26 : 1.5kgfMIN
	AWG #28 : 1.0kgfMIN
UL FILE NO	-



SECTION C - C



SECTION A - A

SECTION B - B