

2.50mm

(0.098") PITCH CONNECTOR



YMHO25-NNR

Material

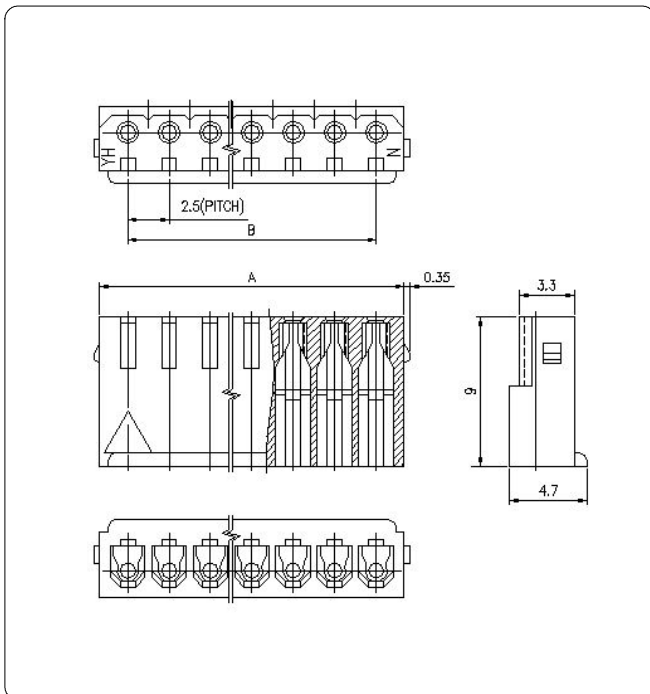
I/NO	DESCRIPTION	MATERIAL
1	HOUSING	NYLON 66, UL94V-0

**Wire to Board
Connectors**

Housing

Available Pin

PARTS NO.	A	B
YMHO25-02R	5.9	2.50
YMHO25-03R	8.4	5.0
YMHO25-04R	10.9	7.5
YMHO25-05R	13.4	10.0
YMHO25-06R	15.9	12.5
YMHO25-07R	18.4	15.0
YMHO25-08R	20.9	17.5
YMHO25-09R	23.4	20.0
YMHO25-10R	25.9	22.5
YMHO25-11R	28.4	25.0
YMHO25-12R	30.9	27.5
YMHO25-13R	33.4	30.0
YMHO25-14R	35.9	32.5
YMHO25-15R	38.4	35.0



Specification

ITEM	SPEC
Voltage Rating	AC/DC 250V
Current Rating	AC/DC 3A
Operating Temperature	-25°C ~ +85°C
Contact Resistance	30mΩ MAX
Withstanding Voltage	AC1000V/1min
Insulation Resistance	1000MΩ MIN
Applicable Wire	AWG #22~#28
Applicable P.C.B	-
Applicable FPC/FFC	-
Solder Height	-
Crimp Tensile Strength	-
UL FILE NO	-

◆ Applicable Terminal : YMT025R

