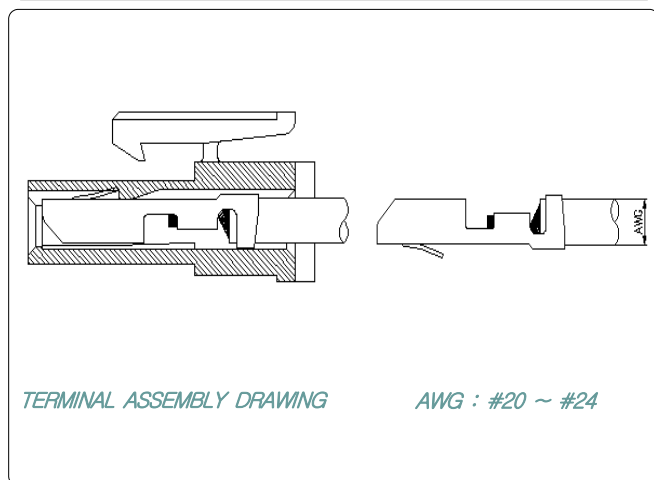
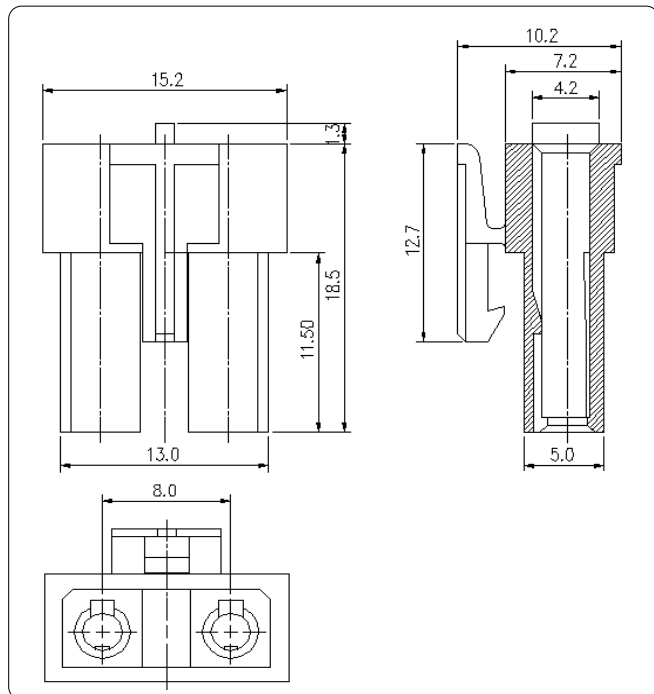


# 8.00mm

(0.315") PITCH CONNECTOR

Wire to Board  
Connectors

Housing



## Material

I/NO	DESCRIPTION	MATERIAL
1	HOUSING	NYLON66, UL94V-0

## Specification

ITEM	SPEC
Voltage Rating	AC/DC 250V
Current Rating	AC/DC 7A
Operating Temperature	-25°C~+85°C
Contact Resistance	30mΩ MAX
Withstanding Voltage	AC 500V/1min
Insulation Resistance	500MΩ MIN
Applicable Wire	AWG #20~#24
Applicable P.C.B	-
Applicable FPC/FFC	-
Solder Height	-
Crimp Tensile Strength	-
UL FILE NO	E108706

◆ Applicable Terminal : YDT236