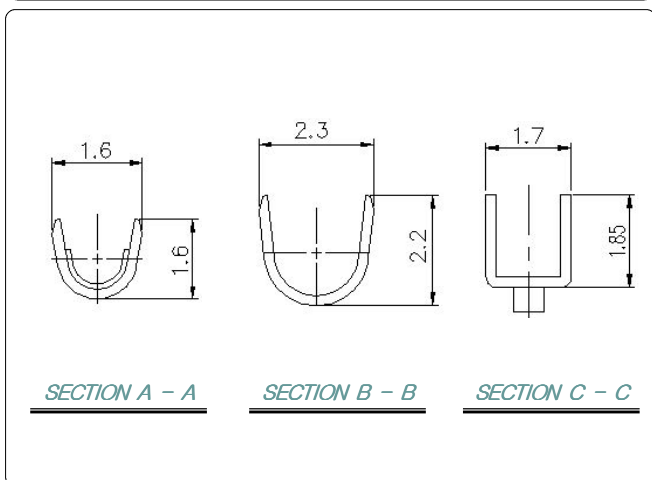
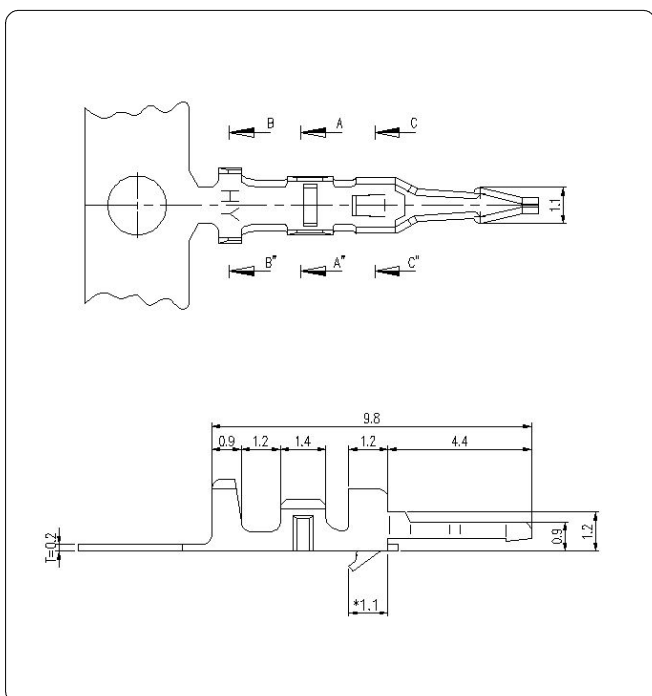


# 2.50mm

(0.098'') PITCH CONNECTOR

Board - In  
Connectors

Terminal



## Material

I/NO	DESCRIPTION	MATERIAL
1	TERMINAL	Brass, Tin-plated

## Specification

ITEM	SPEC
Voltage Rating	AC/DC 250V
Current Rating	AC/DC 3A
Operating Temperature	-25°C~+85°C
Contact Resistance	-
Withstanding Voltage	AC1000V/1min
Insulation Resistance	1000MΩ MIN
Applicable Wire	AWG #22~#28
Applicable P.C.B	1.2~1.6mm
Applicable FPC/FFC	-
Solder Height	-
Crimp Tensile Strength	AWG #22 : 2.5kgfMIN
	AWG #24 : 2.0kgfMIN
	AWG #26 : 1.5kgfMIN
UL FILE NO	-