

# 2.00mm

(0.079'') PITCH CONNECTOR

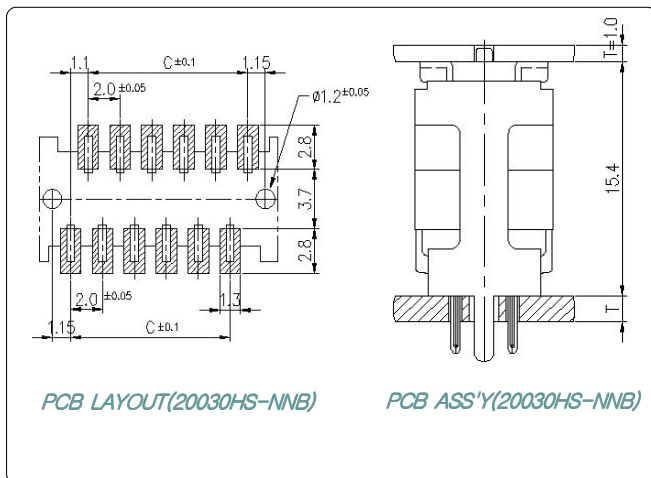
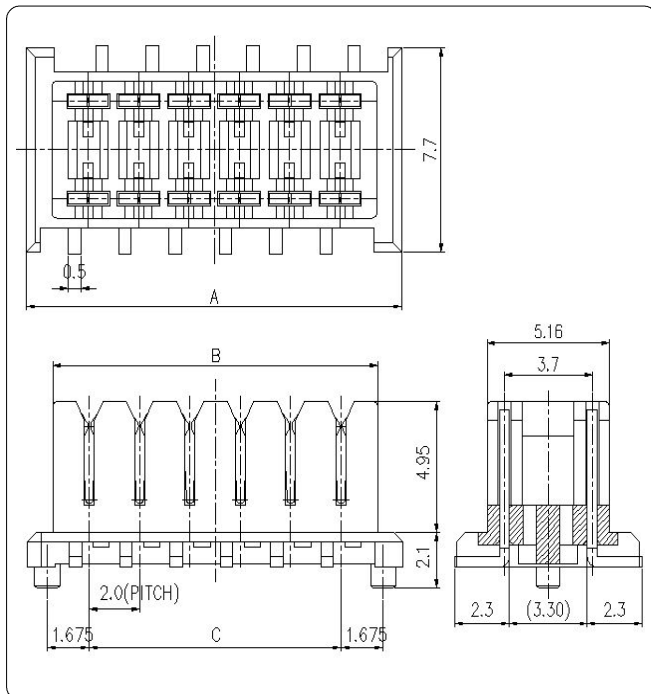
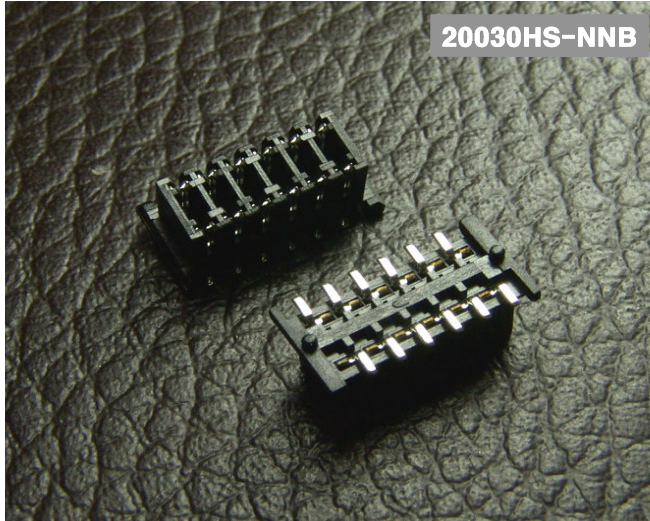
## Board to Board Connectors

Housing

Straight

SMT Type

Dual Contact



### Material

I/NO	DESCRIPTION	MATERIAL
1	HOUSING	PA46 or LCP, UL94V-0
2	TERMINAL	Phosphor Bronze, Tin-plated

### Available Pin

PARTS NO.	A	B	C
20030HS-08B	10.9	8.9	6.0
20030HS-10B	12.9	10.9	8.0
20030HS-12B	14.9	12.9	10.0

### Specification

ITEM	SPEC
Voltage Rating	AC/DC 250V
Current Rating	AC/DC 1A
Operating Temperature	-25°C ~ +85°C
Contact Resistance	30mΩ MAX
Withstanding Voltage	AC500V/1min
Insulation Resistance	1000MΩ MIN
Applicable Wire	-
Applicable P.C.B	0.8~1.6mm
Applicable FPC/FFC	-
Solder Height	0.15mm
Crimp Tensile Strength	-
UL FILE NO	-