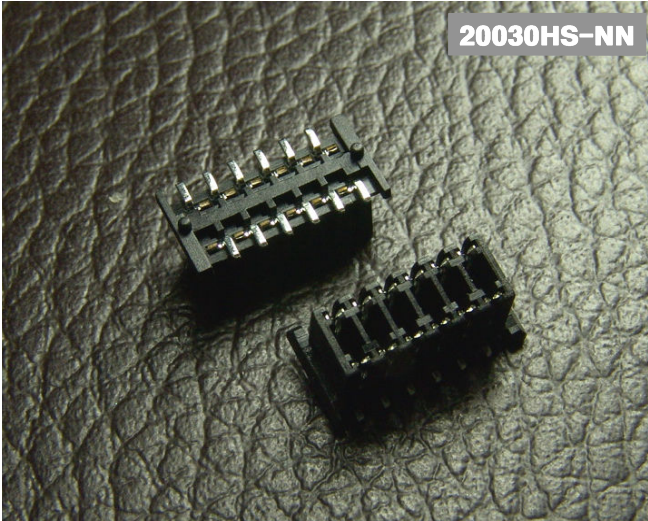


# 2.00mm

(0.079") PITCH CONNECTOR



20030HS-NN

## Material

| I/NO | DESCRIPTION | MATERIAL                    |
|------|-------------|-----------------------------|
| 1    | HOUSING     | PA46 or PA6T, UL94V-0       |
| 2    | TERMINAL    | Phosphor Bronze, Tin-plated |

**Board to Board  
Connectors**

## Housing

SMT  
Type

Straight

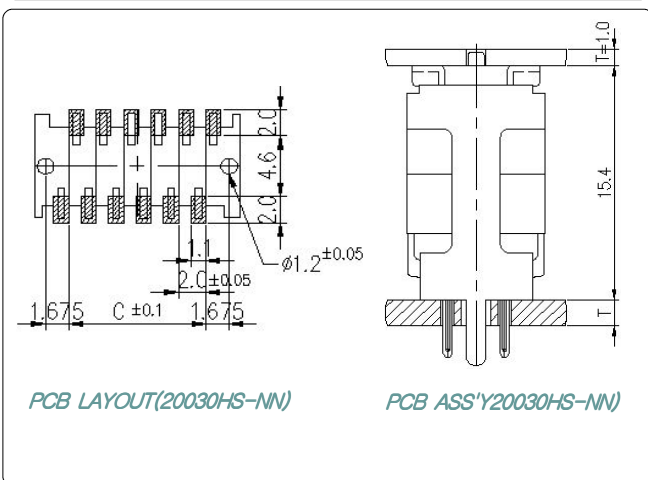
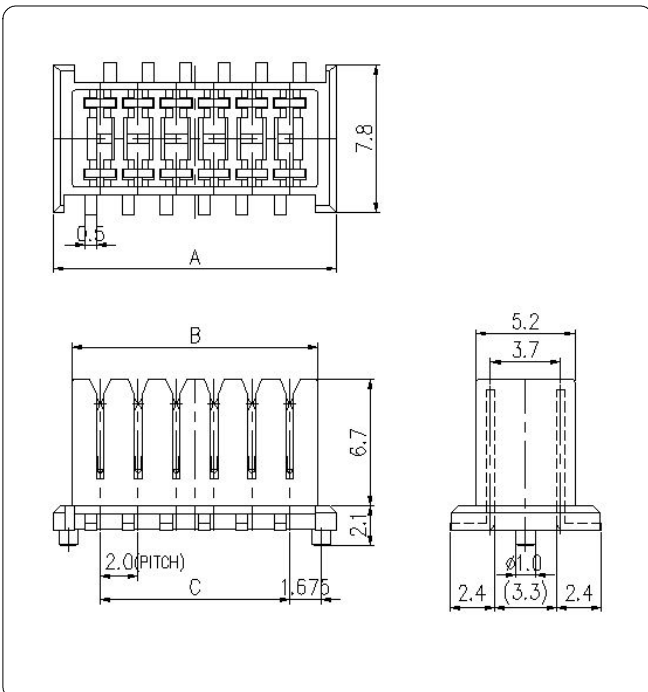
Dual  
Contact

## Available Pin

| PARTS NO.  | A    | B    | C    |
|------------|------|------|------|
| 20030HS-08 | 10.9 | 9.0  | 6.0  |
| 20030HS-10 | 12.9 | 11.0 | 8.0  |
| 20030HS-12 | 14.9 | 13.0 | 10.0 |

## Specification

| ITEM                   | SPEC        |
|------------------------|-------------|
| Voltage Rating         | AC/DC 250V  |
| Current Rating         | AC/DC 1A    |
| Operating Temperature  | -25°C~+85°C |
| Contact Resistance     | 30mΩ MAX    |
| Withstanding Voltage   | AC500V/1min |
| Insulation Resistance  | 1000MΩ MIN  |
| Applicable Wire        | -           |
| Applicable P.C.B       | 1.2~1.6mm   |
| Applicable FPC/FFC     | -           |
| Solder Height          | 0.15mm      |
| Crimp Tensile Strength | -           |
| UL FILE NO             | -           |



PCB LAYOUT(20030HS-NN)

PCB ASS'Y(20030HS-NN)