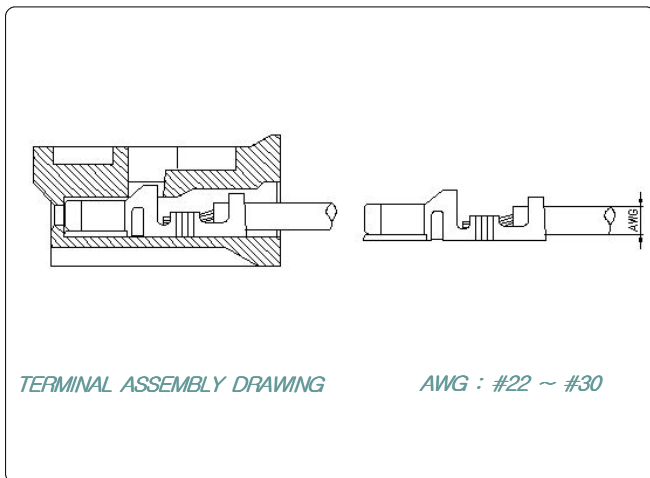
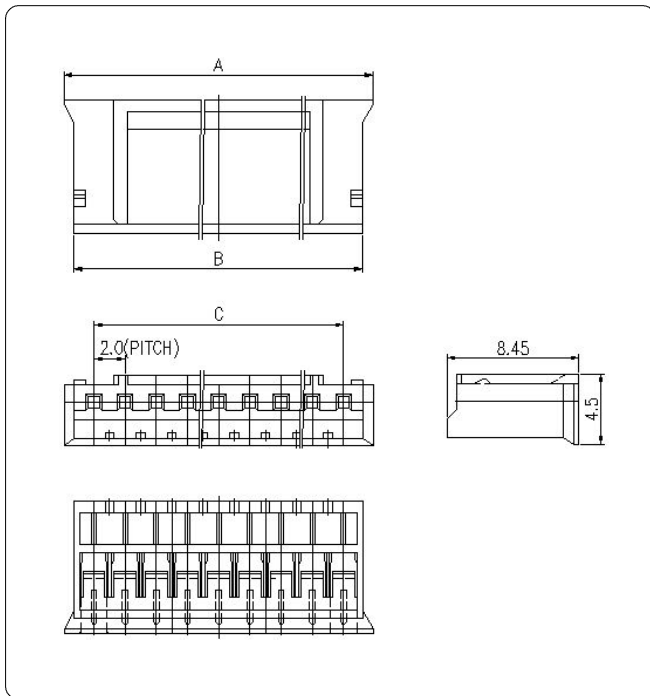


# 2.00mm

(0.079'') PITCH CONNECTOR

## Wire to Board Connectors

### Housing



### Material

I/NO	DESCRIPTION	MATERIAL
1	HOUSING	NYLON 66, UL94V-0

### Available Pin

PARTS NO.	A	B	C
20022HS-02	5.8	4.75	2.0
20022HS-03	7.8	6.75	4.0
20022HS-04	9.8	8.75	6.0
20022HS-05	11.8	10.75	8.0
20022HS-06	13.8	12.75	10.0
20022HS-07	15.8	14.75	12.0
20022HS-08	17.8	16.75	14.0
20022HS-09	19.8	18.75	16.0
20022HS-10	21.8	20.75	18.0
20022HS-11	23.8	22.75	20.0
20022HS-12	25.8	24.75	22.0
20022HS-13	27.8	26.75	24.0
20022HS-14	29.8	28.75	26.0
20022HS-15	31.8	30.75	28.0

### Specification

ITEM	SPEC
Voltage Rating	AC/DC 125V
Current Rating	AC/DC 2A
Operating Temperature	-25°C~+85°C
Contact Resistance	30mΩ MAX
Withstanding Voltage	AC1000V/1min
Insulation Resistance	1000MΩ MIN
Applicable Wire	AWG #22~#30
Applicable P.C.B	-
Applicable FPC/FFC	-
Solder Height	-
Crimp Tensile Strength	-
UL FILE NO	-

◆ Applicable Terminal : YST200