

2.00mm

(0.079") PITCH CONNECTOR



20010HS-NN

Material

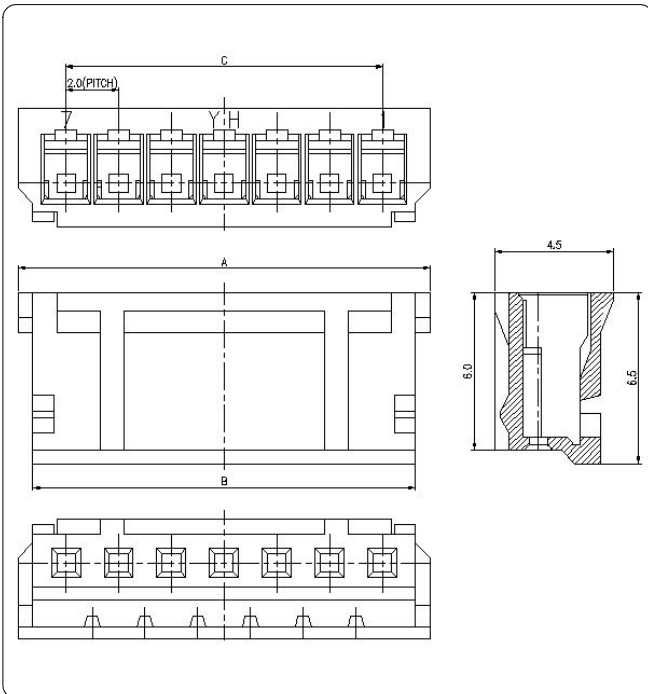
I/NO	DESCRIPTION	MATERIAL
1	HOUSING	NYLON.66, UL94V-0

**Wire to Board
Connectors**

Housing

Available Pin

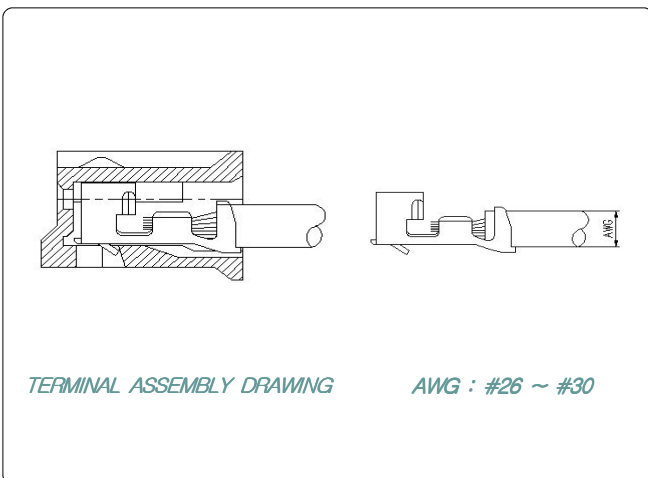
PARTS NO.	A	B	C
20010HS-02	5.6	4.5	2.0
20010HS-03	7.6	6.5	4.0
20010HS-04	9.6	8.5	6.0
20010HS-05	11.6	10.5	8.0
20010HS-06	13.6	12.5	10.0
20010HS-07	15.6	14.5	12.0
20010HS-08	17.6	16.5	14.0
20010HS-09	19.6	18.5	16.0
20010HS-10	21.6	20.5	18.0
20010HS-11	23.6	22.5	20.0
20010HS-12	25.6	24.5	22.0
20010HS-13	27.6	26.5	24.0
20010HS-14	29.6	28.5	26.0
20010HS-15	31.6	30.5	28.0



Specification

ITEM	SPEC
Voltage Rating	AC/DC 250V
Current Rating	AC/DC 2A
Operating Temperature	-25°C~+85°C
Contact Resistance	30mΩ MAX
Withstanding Voltage	AC1000V/1min
Insulation Resistance	1000MΩ MIN
Applicable Wire	AWG #24~#30
Applicable P.C.B	-
Applicable FPC/FFC	-
Solder Height	-
Crimp Tensile Strength	-
UL FILE NO	-

◆ *Applicable Terminal : 20010TS*



TERMINAL ASSEMBLY DRAWING

AWG : #26 ~ #30